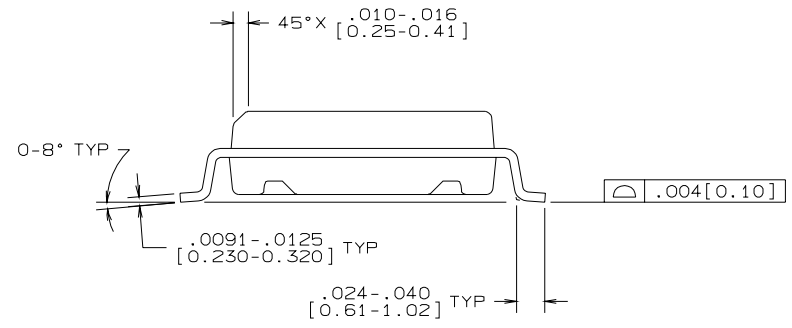
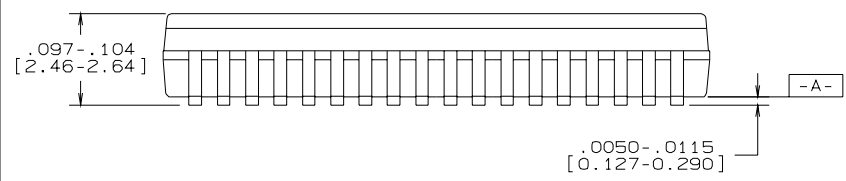
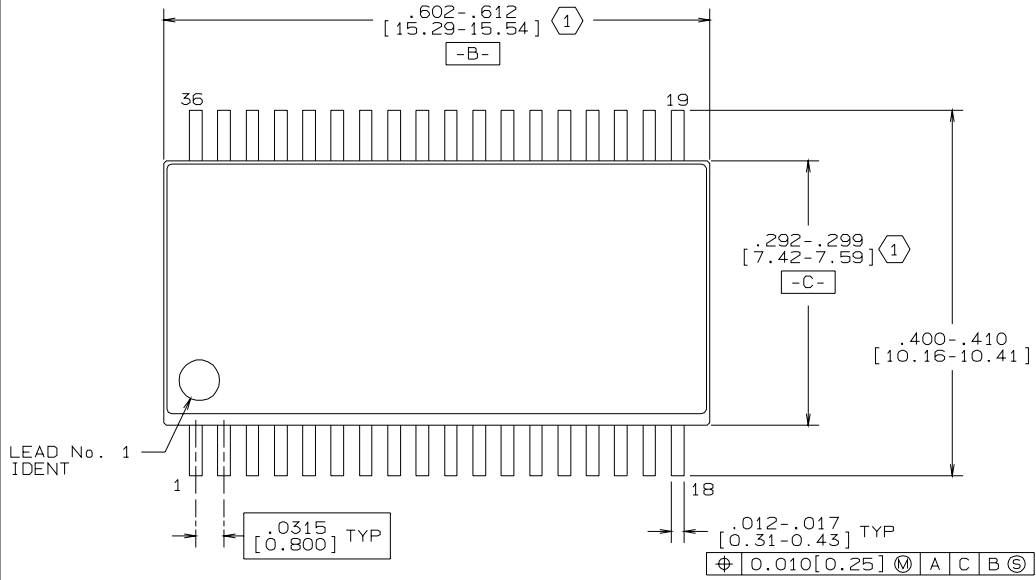


REVISIONS				
LTR	DESCRIPTION	E.C.N.	DATE	BY/APP'D
A	RELEASE TO DOCUMENT CONTROL	09430	11/24/92	DEG/



NOTES: UNLESS OTHERWISE SPECIFIED

(1) REFERENCE DATUMS -B- AND -C- DO NOT INCLUDE MOLD FLASH OR PROTRUSIONS, BUT DO INCLUDE MOLD MISMATCH AND ARE MEASURED AT THE MOLD PARTING LINE. MOLD FLASH OR PROTRUSIONS SHALL NOT EXCEED .006 PER SIDE.

CONTROLLING DIMENSION: INCH			
APPROVALS	DATE	NATIONAL SEMICONDUCTOR CORPORATION	
DRAWN D.E. GRADY	11/24/92	2900 Semiconductor Drive, Santa Clara, CA 95052-8090	
DFGTG. CHK.		MOLDED PKG, SSOP, .300 WIDE, 0.80mm PITCH, 36 LEAD	
ENGR. CHK.			
APPROVAL			
PROJECTION	SCALE	SIZE	DRAWING NUMBER
	N/A	C	MKT-MEB36
	DO NOT SCALE DRAWING	SHEET	1 OF 1